



File was found and ready to download!

UPDATED 14 HOUES AGO

Fastest Source: [usenet.nl](https://www.usenet.nl)

Click the **download button** and select one of the found **cloud sources**.

6.4



2865 VIEWS

Download 

 SECURE SCANNED

You need to [log in](#) before you can post comments.



Navigation



Registration



FAQ

[VolkswagenTransporterTransporterT5M_tech_manual.pdf](#)

WHEN ORDERING REPAIR PARTS, ALWAYS GIVE THE FOLLOWING INFORMATION AS SHOWN IN THIS LIST.

1. The Part Number
2. The Part Description
3. The Part Number
4. The Name of ITEM ... Range Counter Unit.

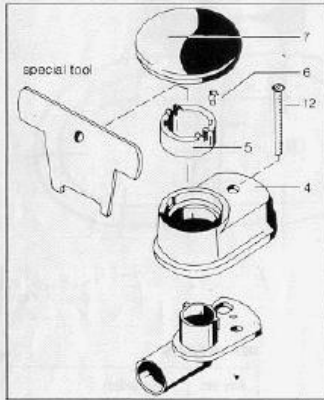


Fig. 3

ASSEMBLY OF BURNER

Fig. 3 shows the assembly of burner together with the special tool. This assembly instruction shall help the service-fitter and explain the handling of the special tool.

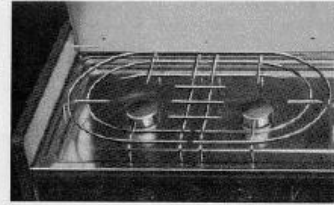
MAINTENANCE

This cooker is nearly free of maintenance only a cleaning of burner caps item No. 8 should be made after certain periods.

For cleaning the burner cap has to be taken off by turning the cap to the left up to catching off of locking spring from the nut. Then the burner cap can be cleaned in warm water by means of a soft brush. When replacing the burner cap please observe that the locking spring is catching exactly into the nut of the burner pot.

Gebr. Seppelfricke GmbH + Co 4650 Gelsenkirchen Postbox 100153
 ☎ (0209) 40 40 W.-Germany Telex 8 24 771

OWNERS MANUAL



**RANGE COUNTER UNIT
 FOR MOBILE HOME
 OR TRAVEL TRAILER
 TYPE 113.1**

**CAUTION:
 READ RULES FOR SAFE
 OPERATION AND
 INSTRUCTIONS CAREFULLY**

Fig. 1

RULES FOR SAFE OPERATION

1. Read the Owners Manual and these Rules for Safe Operation carefully.
2. Check that all applicable state and local codes regarding installation have been followed. The supplier of the propane gas is usually an expert in this regard.
3. Check that minimum clearances to combustible materials have been maintained.
4. When igniting the burners, have lighted match ready when the burners are turned on.
5. Never light matches in the vicinity if the odors of gas are noted.
6. A window or other air vent should be opened slightly while using the range counter unit. Gas burner flames consume oxygen which has to be replaced to assure proper combustion.
7. Do not tamper with the burner orifices or change their size.

GENERAL

1. Your Range Counter Unit has been certified for safety by The Underwriter's Laboratory for use with liquefied petroleum gases only.
2. Burner inputs are shown on a plate attached to each appliance. Refer to this plate for ratings and minimum clearances. The orifices have been sized at the factory at a pressure of 11 inches water column for liquefied petroleum gases.

ASSEMBLY

Your new range is fully assembled. The grate is applied loosely and locked by two plugs. The burner fuses can slightly be uncovered by turning fourth part counter - clock wise.



File was found and ready to download!

UPDATED 14 HOUES AGO

Fastest Source: [useenet.nl](#)

Click the **download button** and select one of the found **cloud sources**.

6.4



2865 VIEWS

Download 

 SECURE SCANNED

You need to [log in](#) before you can post comments.



Navigation



Registration



FAQ

167bd3b6fa

[soil mechanics lambe and whitman pdf download](#)
[ejercicios resueltos de demostracion de identidades trigonometricas pdf](#)
[Download-Justice League Snyder's Cut 2021 WEBRip x264 ION10 mp4](#)
[Future - DS2 Deluxe \(Dirty Sprite 2 \) 2015 320kbps](#)
[Resident Evil 4 PC \[Full\] Español \[MEGA\]](#)
[anand giridharadas winners take all pdf](#)
[\[X-Plane\] 747-200 Classic Freighters 747-100 Classic Passenger crack](#)
[Florida Virtual School Answer Key](#)
[luigi boccherini minuetto mp3](#)
[informal fallacies quiz pdf](#)